

NEW PRODUCT



Power Bar™ Universal Slider Bracket



- For use when installing tub/shower valves, shower risers or tub drops
- Can be used on virtually any water supply stub
- Galvanized steel bracket and tough nylon clamp is strong and supports pipe without bowing
- Available with 2 TouchDown clamps pre-loaded to reduce installation time
- Large bracket expands to fit openings from 14" to 26"
- Pilot holes allow fastening directly to the bracket
- Dual fastening tabs prevent the bracket from twisting
- Includes universal phillips-drill tip screws

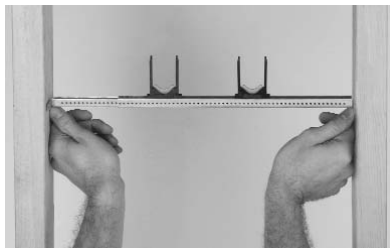
Cat. #	Description	Mn	Ea \$	Qty	Qty \$
55481	1 bracket, w/6 screws	1	-	3	-
55482	1 bracket, 2 TD clamps, w/4 screws	1	-	3	-

Installation Instructions:

Overlap the Bracket. The bracket should overlap a minimum of 2" in center.

Cinch Evenly. Use pliers to evenly "bow the bridge" for maximum clamp tension.

Fasten Securely. We recommend fastening with screws in all four tabs when installing.



Bend tabs and expand bracket to fit stud bay opening.



Fasten both tabs on each end. Tabs will attach flush with, or inside studs/joists.



Drop ear: screw directly to the bracket for solid shower arms.



Place tube inside clamps and cinch the bridge down evenly over posts to secure.

SOLD EXCLUSIVELY THROUGH THE PLUMBING PROFESSIONAL

Phone: 1-800-944-9292 • Fax: 1-800-945-9292 • www.wolverinebrass.com

Power Bar is a Registered Trademark of Sioux Chief Manufacturing.

WB Wolverine Brass

WB7-27-07 © 2007 Wolverine Brass, Inc.

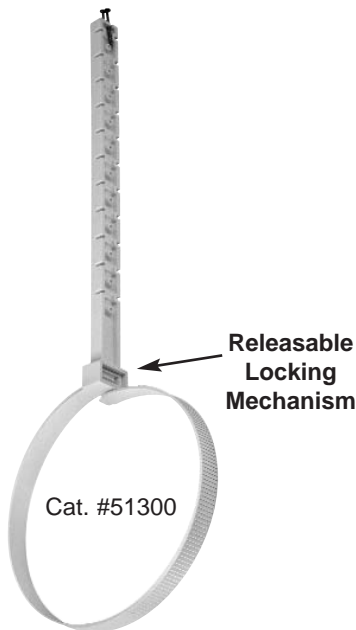
NEW PRODUCT



ZipStick™ Universal Pipe Hanger

Universal Pipe Hanger - White - with 2 nails

- Perfect for hanging wrapped or insulated pipe, bundles of PEX, cable, wiring or supporting vent pipe in attics
- Universal cradle hangs any pipe from 1" CTS to 6" IPS
- 10", 14", or 26" stem lengths available
- Graduated numerals at nail ways for easy measuring
- Hanger shank is ABS; polypro strap is 100% corrosion proof, UV protected and UL94V2 flame rated
- Nails (2 included) are 1-5/8", rust resistant, zinc coated, with continuous ring - shank
- Must be installed in areas between 32°F and 140°F
- PVC DWV pipe is to be supported every 4' or less
- When hanging steel or cast iron pipe, install 2' on center (or less) and anchor with 1-1/2", No. 10 wood screws



Cat. #	Description	Mn	Ea \$	Qty	Qty \$
51300	white, 10" Pipe Hanger	1	-	25	-
51301	white, 14" Pipe Hanger	1	-	25	-
51302	white, 26" Pipe Hanger	1	-	25	-



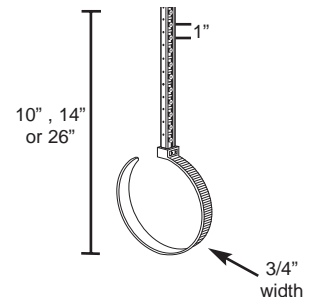
Two nails supplied for easy installation



Opposing holes are 1/2" on center



Snap off sections to create a shorter hanger for tight spaces



SOLD EXCLUSIVELY THROUGH THE PLUMBING PROFESSIONAL

Phone: 1-800-944-9292 • Fax: 1-800-945-9292 • www.wolverinebrass.com

WB Wolverine Brass

ZipStick is a registered trademark of Sioux Chief Manufacturing.

WB7-27-07 © 2007 Wolverine Brass, Inc.

NEW PRODUCT



Tub/Shower Pressure Connectors



Tub/Shower Elbow - CPVC Connection

- Long radius bend for better flow and less noise
- One piece, type L copper

Cat. #	Description	Mn	Ea \$	Qty	Qty \$
54971	1/2" CPVC Socket x 1/2" male sweat elbow	1	-	3	-

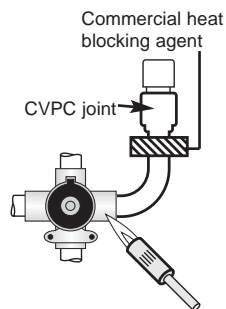


Use Caution When Soldering

Whenever possible, solder with CPVC socket facing downward. If CPVC joint is above solder joint, plug temporarily with nipple and cap to prevent chimney effect.

Always apply torch to valve, not to the fitting.

Use a commercial heat blocking agent between solder joint and CPVC joint.



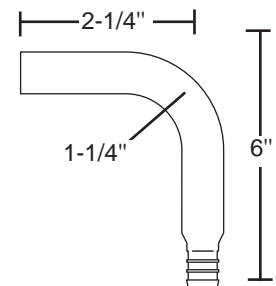
Typical Installation



Tub/Shower Elbow - PEX Connection

- Perfect for sweat connection to standard tub/shower valves

Cat. #	Description	Mn	Ea \$	Qty	Qty \$
55486	1/2" PEX x 1/2" male sweat	1	-	3	-



SOLD EXCLUSIVELY THROUGH THE PLUMBING PROFESSIONAL

NEW PRODUCT



Tub/Shower Elbows

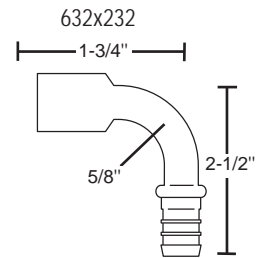
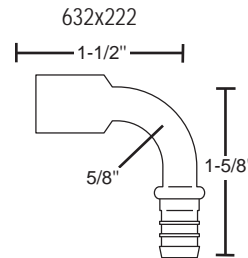


Elbow Adapter - Short Radius (1/2" PEX x Male Sweat Connection)



- Great multi-purpose sweat x PEX elbow
- Perfect for sweat connection to standard tub/shower valves

Cat. #	Description	Mn	Ea \$	Qty	Qty \$
55485	1/2" PEX x 1/2" MSWT	1	-	3	-
55484	1/2" PEX x 3/4" MSWT	1	-	3	-



Shower - Lock Elbow - PEX Connection

- Internal 1/2" FIP thread for shower arm or tub nipple
- Shower-lock model includes 2" O.D. locknuts
- For use with wallboard or fiberglass shower units

Cat. #	Description	Mn	Ea \$	Qty	Qty \$
55483	1/2" PEX x 1/2" FIP	1	-	3	-



Shower - Lock Elbow - Sweat Connection

- Locknut threads can be trimmed after installation
- For use with wallboard or fiberglass shower units

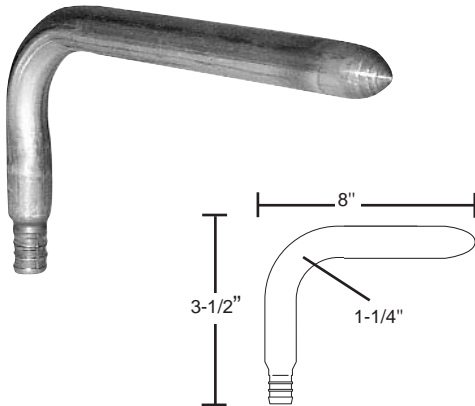
Cat. #	Description	Mn	Ea \$	Qty	Qty \$
55489	1/2" female sweat x 1/2" FIP	1	-	3	-

SOLD EXCLUSIVELY THROUGH THE PLUMBING PROFESSIONAL

NEW PRODUCT



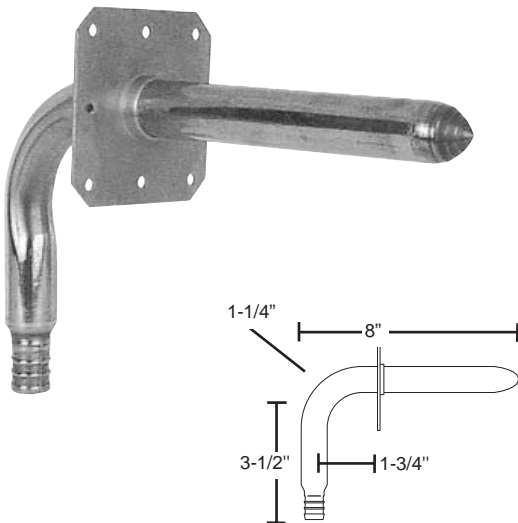
Stub Out Elbows - PEX



Standard Stub Out Elbow - PEX Connection

- Accepts sweat and compression stop valves
- Combines the easy adapting of copper stub outs with easy installation of PEX system
- Type "L" copper
- Guaranteed leakproof

Cat. #	Description	Mn	Ea \$	Qty	Qty \$
55488	1/2" PEX Stub out	1	-	10	-



Stub Out Elbow - PEX Connection w/ Backing Board Bracket

- Easily affixes to any backing board to provide solid installation
- Type "L" copper
- Guaranteed leakproof

Cat. #	Description	Mn	Ea \$	Qty	Qty \$
55487	1/2" PEX Stub Out w/bracket	1	-	10	-



Guaranteed Leakproof
Spin closed ends have five times the wall thickness of the copper tube. Each fitting is factory inspected.



SOLD EXCLUSIVELY THROUGH THE PLUMBING PROFESSIONAL

NEW PRODUCT



Stub Out Elbow - CPVC

Standard Stub Out Elbow - CPVC Connection

- Accepts sweat and compression stop valves
- Combines the easy installation of CPVC with the strength and versatility of copper
- Spin closed ends are guaranteed leakproof
- Type "L" copper
- Guaranteed leakproof



Cat. #	Description	Mn	Ea \$	Qty	Qty \$
54972	1/2" CPVC Stub out	1	-	3	-

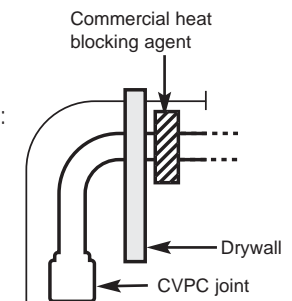


Typical Installation

Use Caution When Soldering

Keep the following minimum distances between CPVC joints and solder joints:

	No Heat Blocker	With Heat Blocker
1/2" CTS	10"	6"
3/4" CTS	10"	6"
1" CTS	18"	15"



Guaranteed Leakproof

Spin closed ends have five times the wall thickness of the copper tube. Each fitting is factory inspected.



SOLD EXCLUSIVELY THROUGH THE PLUMBING PROFESSIONAL