

NEW PRODUCT

Sloan "Optima Plus" EBF-615-4 Battery Powered, Sensor Activated Lavatory Faucet



(Install with or without 4" deck plate.)

Features:

- Sensor Operated Features Make Wash-Up Hands-Free, Providing the Ultimate in Sanitary Protection
- Infrared Sensor Detects User's Hands To Activate Water Supply
- Automatic Operation Saves Water and Reduces Maintenance and Operation Costs
- Trim Plate for 4" Center-Set Sink (included)
- Chrome Plated Cast Brass Construction
- Includes Batteries, Mounting Hardware and Trim Plate for 4" Center Sink
- For Tempered or Hot/Cold Water Operation
- 0.5 gpm Vandal Resistant Spray Head Available (Catalog #52183)
- Sensor Range Adjustment
- Low Battery LED Indicator Light
- User friendly Variable Time Out Settings
- Mounts On A Single Hole Lavatory or Deck
- ASME A112.18.1M



ADA Compliant



Certified



Listed

Cat. #	Description	Qty	Qty \$	Bx Qty
81158	Sloan Sensor Faucet EBF-615-4	1	-	1



Includes A Back Check Tee Assembly

Allows a hot/cold water mix.



Mechanical Mixing Valve

For the ability to **control** the temperature mix, we recommend use of a Mechanical Mixing Valve, such as catalog #81159, Leonard 3/8" chrome plated brass with a locking dial adjustment and integral check valves on inlets.

SOLD EXCLUSIVELY THROUGH THE PLUMBING PROFESSIONAL

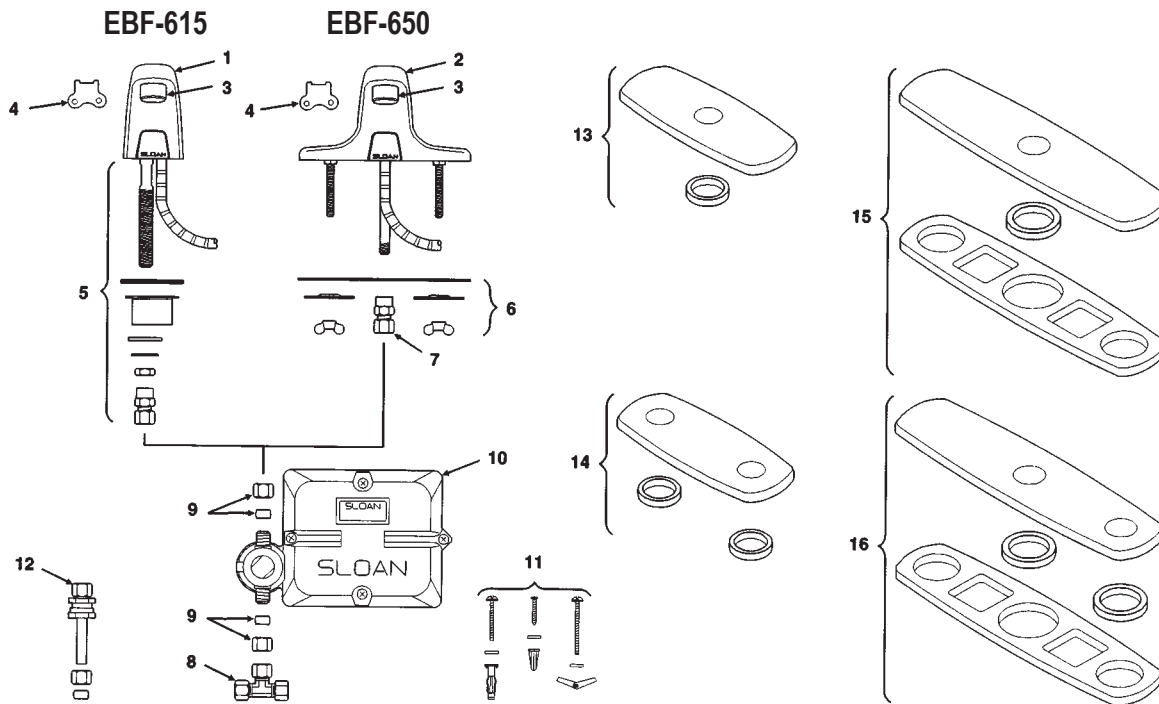
Phone: 1-800-944-9292 • Fax: 1-800-945-9292 • www.wolverinebrass.com

WB Wolverine Brass

© 2007 Wolverine Brass, Inc.

WB6-29-07

REPAIR PARTS FOR SLOAN® OPTIMA PLUS LAVATORY SENSOR FAUCETS - SERIES: EBF-615, EBF-650



Item #	Cat. #	Ref. No.	Description
1	-	EBF-120-A	Pedestal Faucet Spout and Sensor Assembly (EBF-615)
2	-	EBF-81-A	Faucet Spout and Sensor Assembly (EBF-650)
3	52183	ETF-1023-A	0.5 GPM Spray Head with Key (Male Thread)
	-	ETF-1024-A	2.2 GPM Aerator Spray Head with Key (Male Thread)
	-	F-175-L	2.2 GPM Laminar Flow Spray Head (Male Thread)
4	-	ETF-435	Replacement Key (Fits ETF-1023-A Spray Head and ETF-1024-A Aerator Spray Head Only)
5	-	EBF-123-A	Faucet Mounting Kit for EBF-615 (Includes: 3/8" RB Water Supply Tube, Base Gasket, Spacer, Washer, 9/16" Lockwasher, 1/4" NPSM Hex Nut and ETF-547 Compression Fitting Connector)
6	-	ETF-546-A	Faucet Mounting Kit for EBF-650 (Includes: Base Gasket, (2) Slotted Mounting Washers, (2) Wing Nuts and ETF-547 Compression Fitting Connector)
7	-	ETF-547	1/8" NPT Pipe to 3/8" Tube Compression Fitting Connector (Female)
8	83027	ETF-259	3/8" Tee Compression Fitting
9	-	EBF-113-A	Single Solenoid Supply Kit (Includes: (2) Compression Nuts, (2) Compression Sleeves and Screwdriver (not shown))
10	-	EBF-60-A	Control Module Assembly (Includes: Base Enclosure, Cover Enclosure, (2) Gaskets, Solenoid Body, Solenoid Enclosure, Solenoid Filter Plug and Battery Stop)
11	-	EBF-79-A	Mounting Hardware Kit for Control Module Assembly (Includes: (4) Anchor Nuts, (4) Toggle Nuts, (4) Mounting Screws for Base Plate, (4) Flat Washers, (4) Anchors and (4) Metal Screws)
12	-	ETF-470-A	Back Check
13	-	ETF-103-A	4" Centerset Single Hole Trim Plate Kit for EBF-615 Faucet Only
14	-	MIX-102-A	4" Centerset Double Hole Trim Plate Kit for EBF-615 Faucet with Optional Mixing Valve
15	-	ETF-105-A	8" Centerset Single Hole Trim Plate Kit for EBF-615 Faucet Only
	-	ETF-576-A	8" Centerset Single Hole Trim Plate for EBF-650 Faucet Only
16	-	MIX-102-A	8" Centerset Double Hole Trim Plate Kit for EBF-615 Faucet with Optional Mixing Valve
	-	ETF-577-A	8" Centerset Double Hole Trim Plate Kit for EBF-650 Faucet with Optional Mixing Valve
	-	EBF-80-A	Sensor Replacement Kit (Includes: Cable Assembly, Retainer for PC Board Assembly and Housing for Sensor Window) (Not Illustrated)
	-	EBF-1011-A	Solenoid Replacement Kit (Includes: Solenoid Body, Solenoid Enclosure and Solenoid Filter Plug) (Not Illustrated)
	-	EBF-1004-A	Solenoid Filter Replacement Kit (Includes: Filter Screen Assembly and O-ring) (Not Illustrated)
	-	EBF-1006-A	Repair Kit for EBF-60-A Control Module Assembly (Includes: EBF-61-A Battery Holder Assembly and EBF-159 Battery Gasket) (Not Illustrated)
	-	EBF-50	Control Module Replacement Gasket (2 Required) (Not Illustrated)
	-	EBF-1007-A	Faucet Cable Assembly Repair Kit for EBF-650 (Includes: Sensor Window Housing Assembly and Bracket for Sensor Window) (Not Illustrated)

SOLD EXCLUSIVELY THROUGH THE PLUMBING PROFESSIONAL