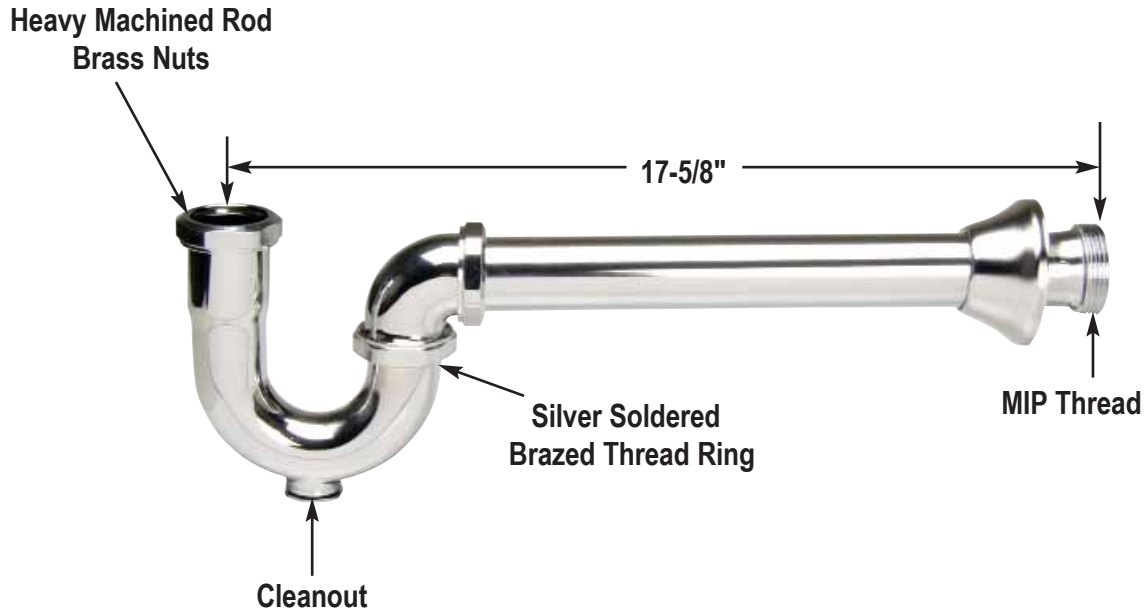


# NEW PRODUCT

## Extra Long 1-1/2" Utility Trap



### Features:

- 17-5/8" Length from center to end, 3" longer than our #50676
- Solid cast brass elbow w/MIP threads
- Slip joint connections on elbow
- Captured nut on "J" bend
- MIP thread on wall tube
- Chrome finish
- Packaged in heavy truck proof box

CAT. NO.	DESCRIPTION	Ea	Ea Price	Qty	Qty Price	CS Qty
50677	17 ga. 1-1/2" XL utility trap	1		5		25

SOLD EXCLUSIVELY THROUGH THE PLUMBING PROFESSIONAL

Phone: 1-800-944-9292 • Fax: 1-800-945-9292 • [www.wolverinebrass.com](http://www.wolverinebrass.com)

**WB** Wolverine Brass

© 2007 Wolverine Brass, Inc.

WB5-18-07