

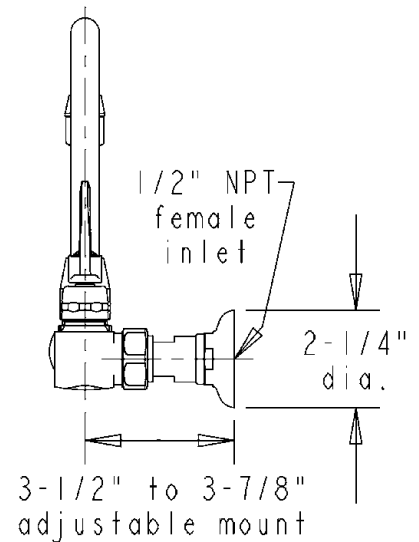
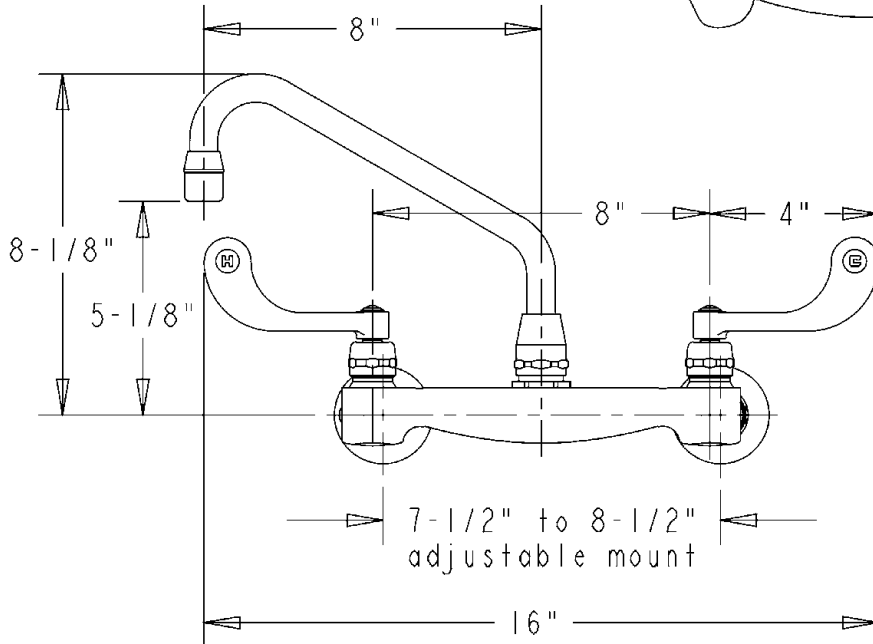
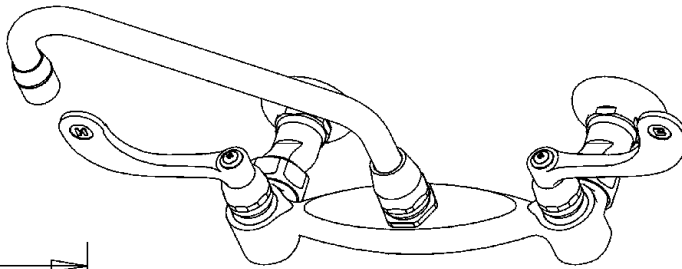
FIXTURE SPECIFICATIONS

CALL OR FAX TOLL FREE NATIONWIDE SALES: 1-800-944-WBWB

FINALE (SOLID BRASS) TWO HANDLE WALL MOUNT FAUCET



9346257



TECHNICAL DATA

DESCRIPTION: Two handle Finale wall mount faucet.

VALVES: Washerless 1/4 turn full on to off ceramic disc cartridge with one hundred year warranty on cartridge. Brass copper alloy #360 cartridge stems, cartridge housings and cap nuts.

CONSTRUCTION: Wrist blade handles. Cast brass body copper alloy # C844. Brass copper alloy #360 coupling nuts and offset shanks with 1/2" FIP connections. Zamac #3 flanges. Brass copper alloy #360 spout nut, connector and body adapter with double o-ring spout seal. Extra heavy wall (.090 thick) red brass pipe spout. The aerator has 15/16" female threads with 2 GPM flow at 60 PSI.

FINISH: Body is triple plated high luster chrome finish. All other exposed parts have high luster nickel, chrome plated finish. Stems and cap nuts have satin nickel finish.

FINISH: Copper .001" / Nickel .00025" / Chrome .000007"

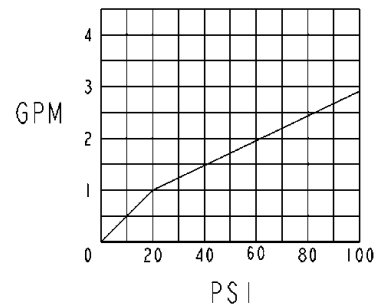
CONTRACTOR:

ACCOUNT NO.:

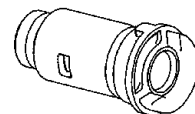
JOB NAME:

ACCOUNT NAME:

FLOW RATE CHART



CONTROL SYSTEM



State of the art 1/4 turn ceramic disc, washerless cartridge. patent #3780758

WB WOLVERINE BRASS, INC. 2951 HWY. 501 EAST CONWAY, SC 29526

9346257FS