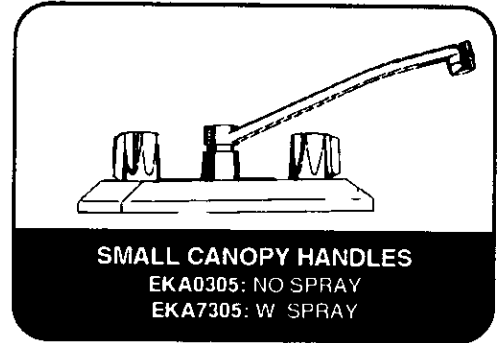
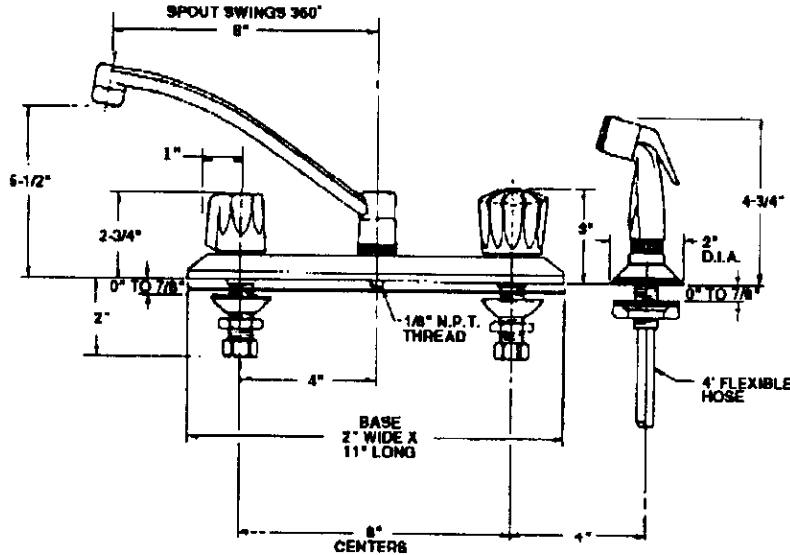


FIXTURES



CALL OR FAX TOLL FREE NATIONWIDE: SALES: 1-800-944-WBWB FAX: 1-800-945-WBWB

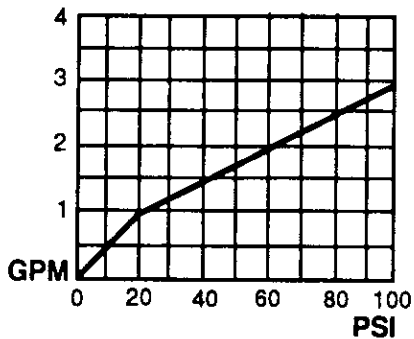
ENCORE TWO HANDLE KITCHEN FAUCETS



TECHNICAL DATA

DESCRIPTION: Two handle Encore kitchen deck faucet with tubular "D" spout.
VALVES: Washerless 1/4 turn full on to off ceramic disc cartridge with ten year warranty on the cartridge. Delrin cartridge stems. Brass copper alloy #360 cap nuts.
CONSTRUCTION: Clear acrylic or Zamac #3 small canopy handles. Brass tubular "D" spout with o-ring seal, brass copper alloy #360 hub, spout hold down nut and aerator adapter. The aerator has 15/16" male threads with 2 GPM flow at 60 PSI. Zamac #3 canopy with plastic under plate. Machined brass copper alloy #360 spout base and valve bodies with threaded 1/2" NPS shanks, taper reamed at inlets. Brazed "K" copper waterways. Copper alloy #360 coupling and lock nuts. Zinc plated steel deep cup shank washers. The spray hose is 48" long with 1/8" MPI threaded body connection.
FINISH: All exposed parts have high luster chrome finish. Cap nuts have satin nickel finish.
FINISH SPECIFICATIONS: NICKEL .00025" / CHROME .000007"

FLOW RATE CHART



CONTROL SYSTEM



STATE OF THE ART 1/4 TURN CERAMIC DISC, WASHERLESS CARTRIDGE. PATENT# 3780758

CONTRACTOR: _____ ACCOUNT NO.: _____
 JOB NAME: _____ ACCOUNT NAME: _____

WOLVERINE SYNONYMOUS WITH QUALITY