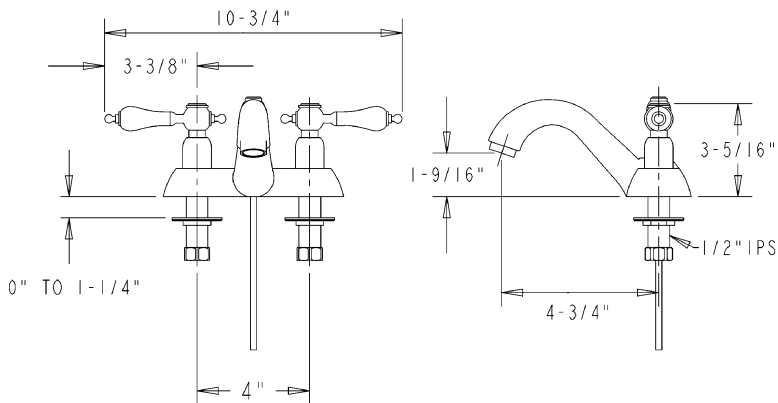


SPECIFICATION:
TWO HANDLE LAVATORY FAUCET
MODEL MIL2270, MIL2275 & MIL2290



NOTES:

- 1.0 DRILL INSTALLATION HOLE TO 1" MINIMUM.
- 2.0 DIMENSION TOLERANCE $\pm 1/8\text{'}$.