

### Finale Two Handle Laundry Faucet - Clamp-on Brackets

50212

**DESCRIPTION:**

Two handle, top supply cast brass laundry faucet with clamp-on brackets mounting

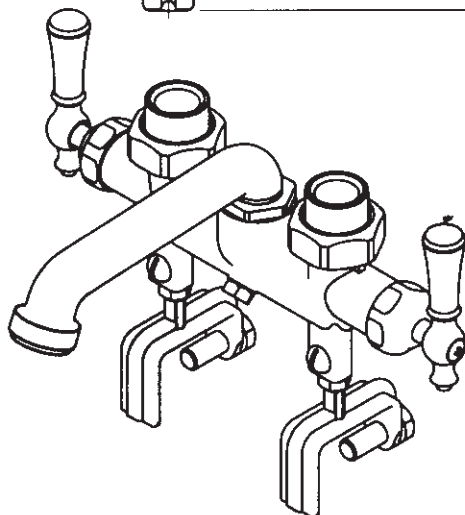
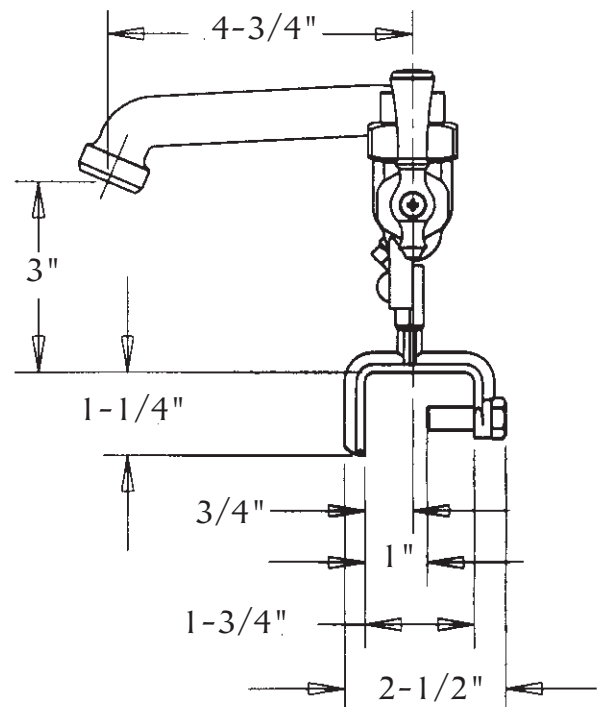
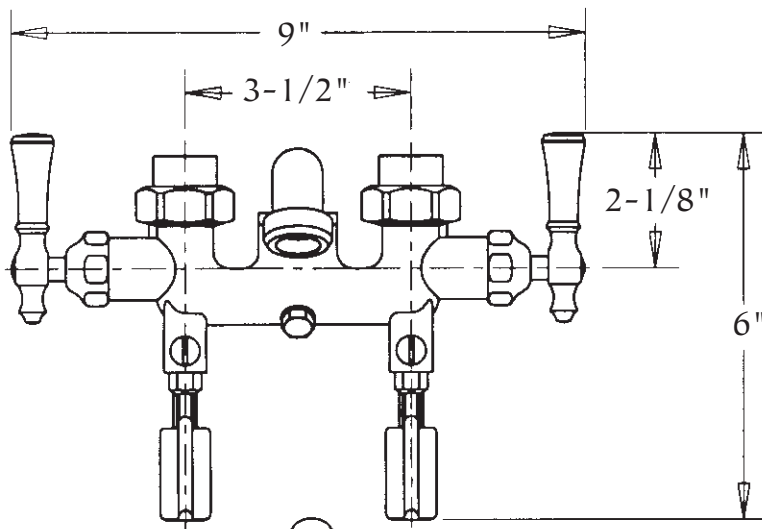
**VALVES:**

Integral compression style double acme threaded controls with right and left hand threads for hot and cold sides. Integral (non-removable) seats. Brass copper alloy #360 stems and cap nuts. Stem packing with brass and fiber support washers

**CONSTRUCTION:**

Brass copper alloy #360 lever handles. Cast brass body copper alloy #844. Brass copper alloy #360 inlet coupling nuts with dual 1/2" IP or copper sweat bushing at top side supply. Cast brass copper alloy #844 spout with integral 3/4" hose thread. Brass copper alloy #360 spout hold down nut. Teflon packing for spout tub seal. Screw furnished for mounting.

**FINISH:** All exposed parts have satin chrome finish



50212SP