

# FIXTURES

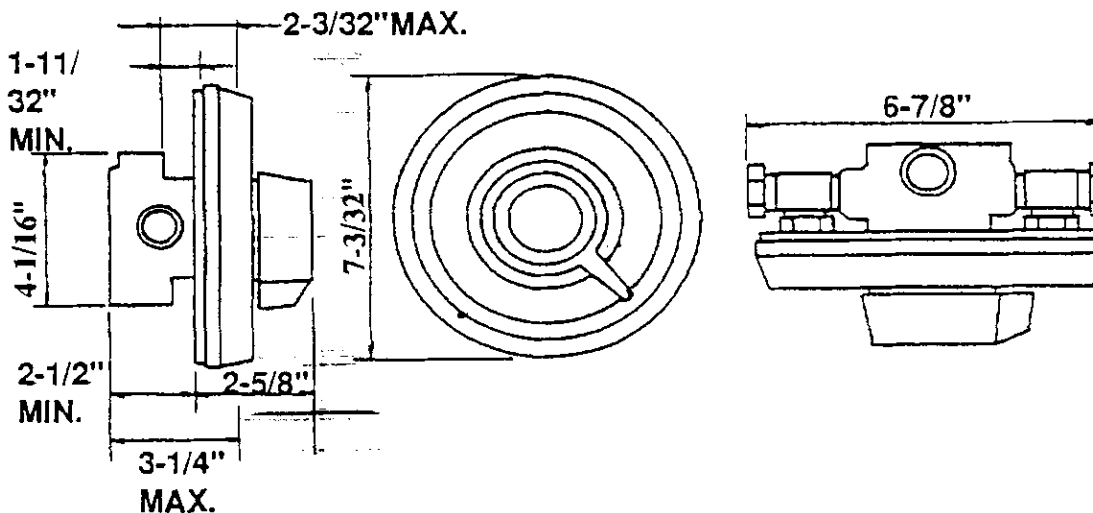
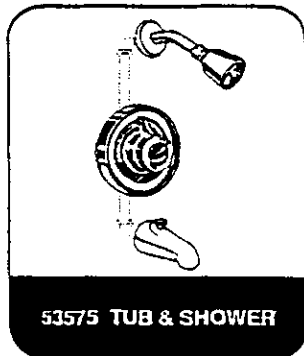
# SPECIFICATIONS

Sect.A3



CALL OR FAX TOLL FREE NATIONWIDE SALES: 1-800-944-WBWB FAX:1-800-945-WBWB

## AUTOMATIC TEMPERATURE CONTROL TUB & SHOWER FIXTURES



### TECHNICAL DATA

**DESCRIPTION:** Single lever temperature control tub and/or shower valve.

**VALVE:** Solid brass, pressure balancing 1/2" FIP valve body with solid brass valve body cover, brass stem and self contained noryl plastic removable cartridge assembly. Diaphragm operated. The valve holds the temperature within 2 degrees of the set point, regardless of supply pressure fluctuations with complete shut off if one supply fails. There is an adjustable hot water limit stop to limit maximum hot temperature. Turns on and off through the cold position with gradual and precise temperature handle adjustment. The valve flow is 5 GPM at 50 PSI.

**CONSTRUCTION:** Clear polycarbonate lever handle. Chrome plated ABS escutcheon with prominent hot and cold color coding on the face. Zamac #3 diverter tub spout with 1/2" or 3/4" FIP inlet. Shower head is 1/2" FIP with 2.75 GPM at 60 PSI. Shower arm is brass, 5" long with 1/2" MIP thread.

**FINISH:** All exposed parts excluding the clear acrylic handle, have chrome finish.

CONTRACTOR:

ACCOUNT NO.

JOB NAME:

ACCOUNT NAME:

**WB WOLVERINE BRASS, INC.**

**2951 HWY 501 E. CONWAY, SC 29526**

**A3 -**

4/93