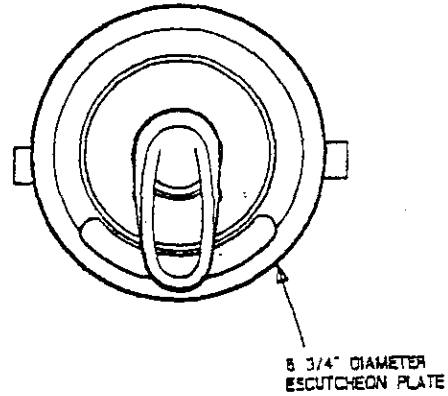
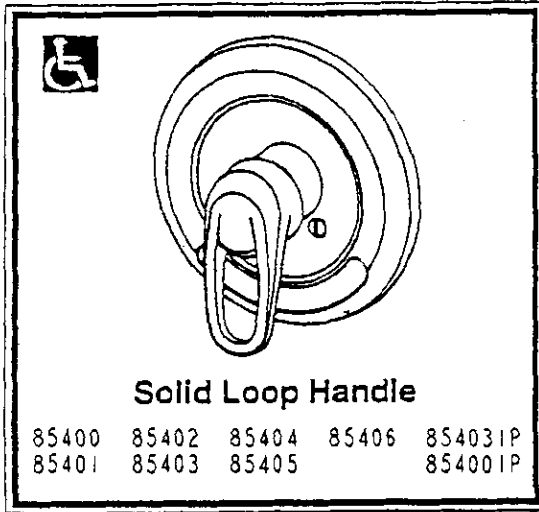




# WB Fixture Specifications

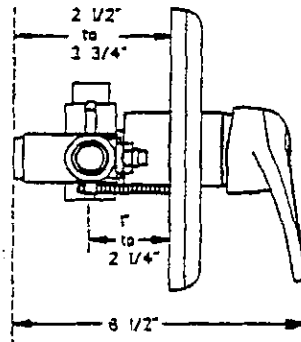
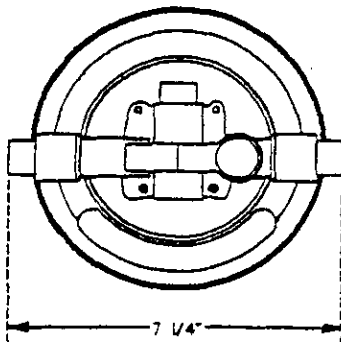
## ENDURANCE Pressure Balance Tub/Shower Valve



### Lever Handle

(not pictured)

- 85450
- 85451
- 85452
- 85453



### Technical Data

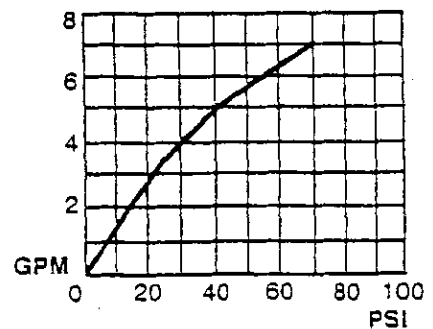
DESCRIPTION: Pressure balancing tub and/or shower valve

VALVES: Valve body is brass with integral stops and built in pressure balancing spool, C or MIP inlets. The pressure balancing spool will maintain temperature within 2 degrees. Washerless Ceramic disc cartridge with built-in high limit temperature stop.

CONSTRUCTION: Zamac #3 loop lever handle with brass cover plate, screws, lock ring, sleeve and retainer ring. The shower arm, flange and shower head are brass. The spout is Zamac #3 metal.

FINISH: All exposed parts have high luster chrome and/or the Wolverine Brass exclusive Dura-Brass™ finish.

### Flow Rate Chart



### Control System



One piece ceramic disc, cartridge with hot limit stop.

CONTRACTOR:

ACCOUNT NO.:

JOB NAME:

ACCOUNT NAME: