

# WOLVERINE BRASS, INC.

## ENCORE II SINGLE CONTROL PRESSURE BALANCE TUB/SHOWER

### VALVE CONSTRUCTION:

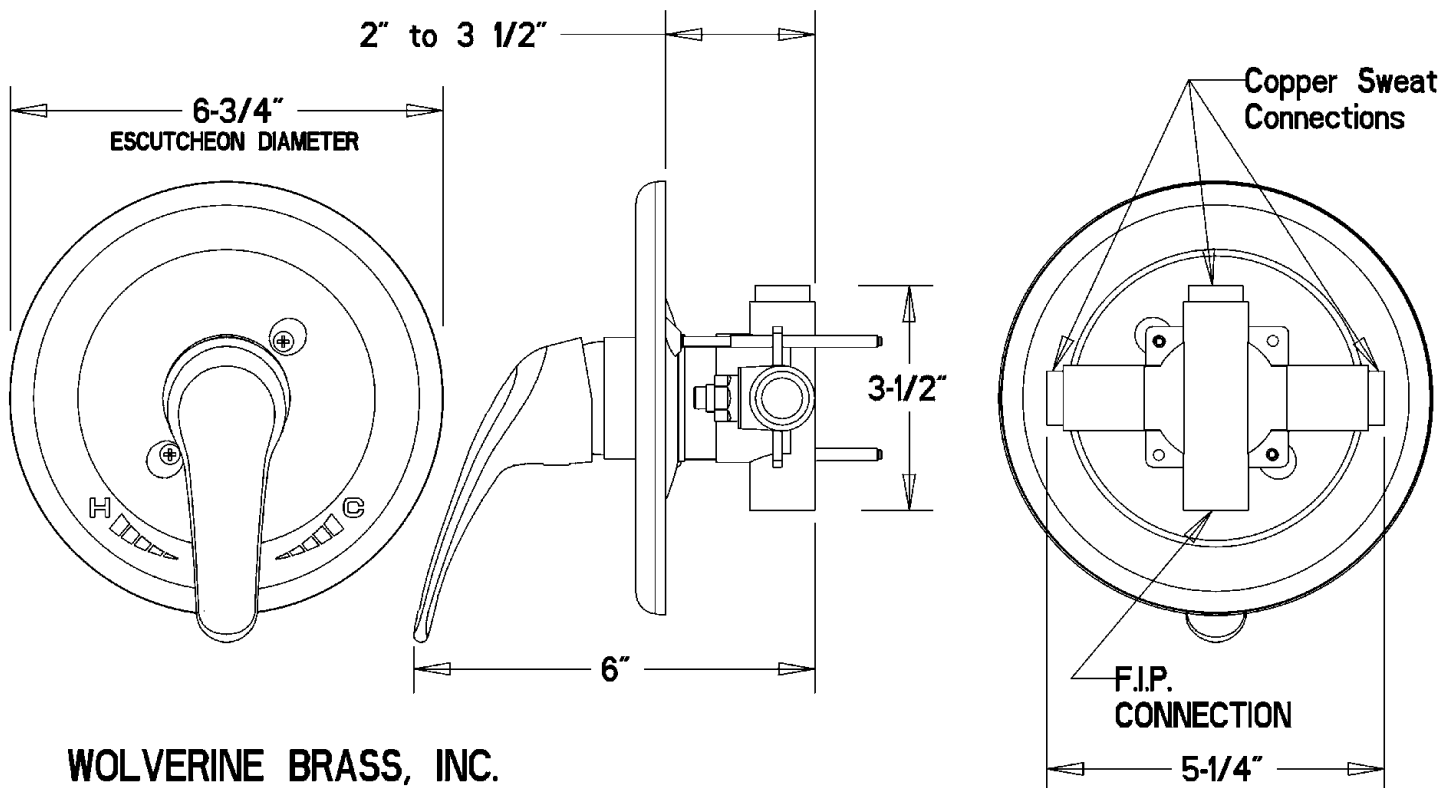
- 35mm CERAMIC DISK CARTRIDGE with HOT LIMIT ADJ. RING.
- CAST BRASS BODY.
- CHROME PLATED BRASS ESCUTCHEON & BODY SLEEVE.
- ZAMAC#3 CHROME PLATED METAL LEVER HANDLE.
- COPPER SWEAT INLET & SHOWER OULET CONNECTIONS.
- 1/2" F.I.P. TUB SPOUT OUTLET CONNECTION.
- SLIP FIT DIVERTER TUB SPOUT (on Tub/Shower Units).
- BUILT IN "INTEGRAL" LINE STOPS.

### OPERATION:

- SINGLE CONTROL LEVER HANDLE.
- REQUIRES LESS THAN 5 LB FORCE TO OPERATE VALVE.
- TEMP. ADJUSTMENT 90° FROM FULL HOT TO FULL COLD.
- 2.5 GPM SHOWER HEAD with SHOWER TO MASSAGE ADJUSTMENT.

### STANDARDS:

- DESIGNED AND MANUFACTURED TO COMPLY WITH  
CSA B-125, ASME A112.18.1M, ASSE 1016, and ADA STANDARDS.



**WOLVERINE BRASS, INC.**  
2951 Highway 501 East  
Conway, SC 29526  
(843)-347-3121