

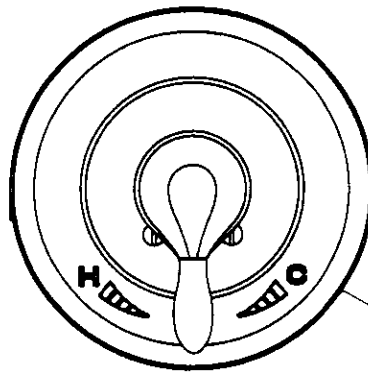
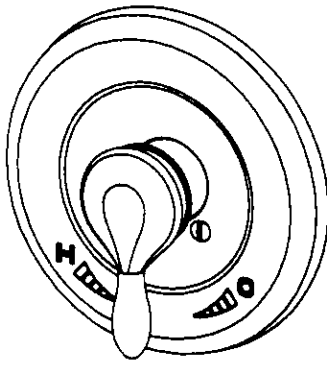
FIXTURE SPECIFICATIONS

- CALL OR FAX TOLL FREE NATIONWIDE SALES: 1-800-944-WBWB

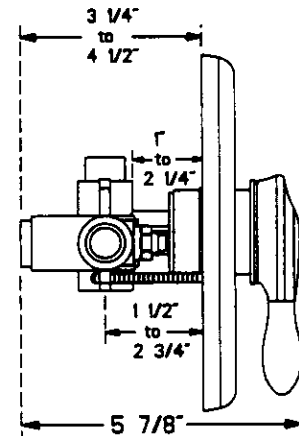
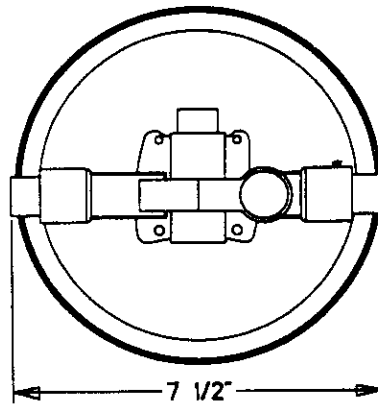
CENTENNIAL PRESSURE BALANCE TUB/SHOWER VALVE

CV - SERIES

- CV33313
- CV33323
- CV33003
- CV33312
- CV33322
- CV33002
- CV31311
- CV31321
- CV31001
- CV11111
- CV11121
- CV11001
- CV11112
- CV11122
- CV11002
- CV22212
- CV22222
- CV22002



7 1/2" DIAMETER
ESCUTCHEON PLATE



TECHNICAL DATA

DESCRIPTION: Pressure Balance Tub and/or Shower Valve.

VALVE: Valve body is brass with integral stops and built in pressure balancing spool, copper or MIP inlets. The pressure balance spool will maintain temperature within 3 degrees. Washerless ceramic disc cartridge with built-in hot limit adjustment stop.

CONSTRUCTION: Zamac #3 Handle base and tub spout with brass handle insert, cover plate, screws, sleeve and retainer ring, shower arm, and shower head.

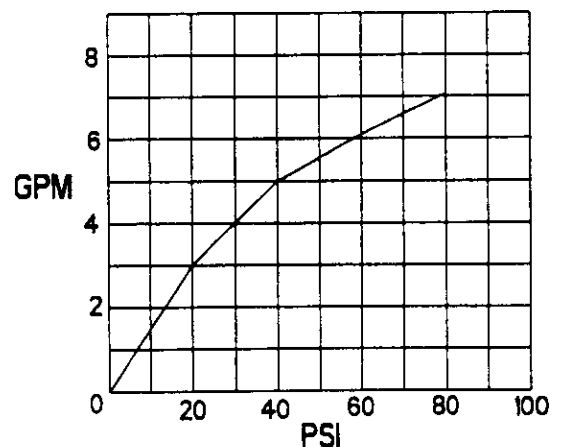
CONTRACTOR:

ACCOUNT NO:

JOB NAME:

ACCOUNT NAME:

FLOW RATE CHART



WB WOLVERINE BRASS, INC. 2951 HWY 501 E. CONWAY, SC 29526