

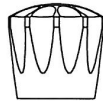
WB Wolverine Brass

SPECIFICATION SHEET

Encore Two Handle Lavatory Faucets

EC00320 - Acrylic Handles

EC01320 - Acrylic Handles w/Pop-up



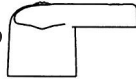
EC00305 - Small Canopy Handles

EC01305 - Small Canopy Handles w/Pop-up



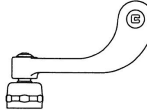
EC00321 - Canopy Blade Handles

EC01321 - Canopy Blade Handles w/Pop-up



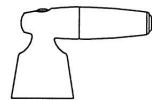
EC00330 - Wrist Blade Handles

EC01330 - Wrist Blade Handles w/Pop-up



EC00311 - Lever Handle w/Chrome Brass Insert

EC01311 - Lever Handle w/Chrome Brass Insert w/Pop-up



EC00313 - Lever Handle w/Antique White Insert

EC01313 - Lever Handle w/Antique White Insert w/Pop-up

FAUCET CONSTRUCTION:

- Ceramic disc cartridges
- Machined brass underbody with K copper waterways
- Zamac #3 canopy with plastic underplate
- Triple chrome plated finish
- 1/2" IPS threaded brass shanks 4" on centers
- AB1953 Compliant

OPERATION:

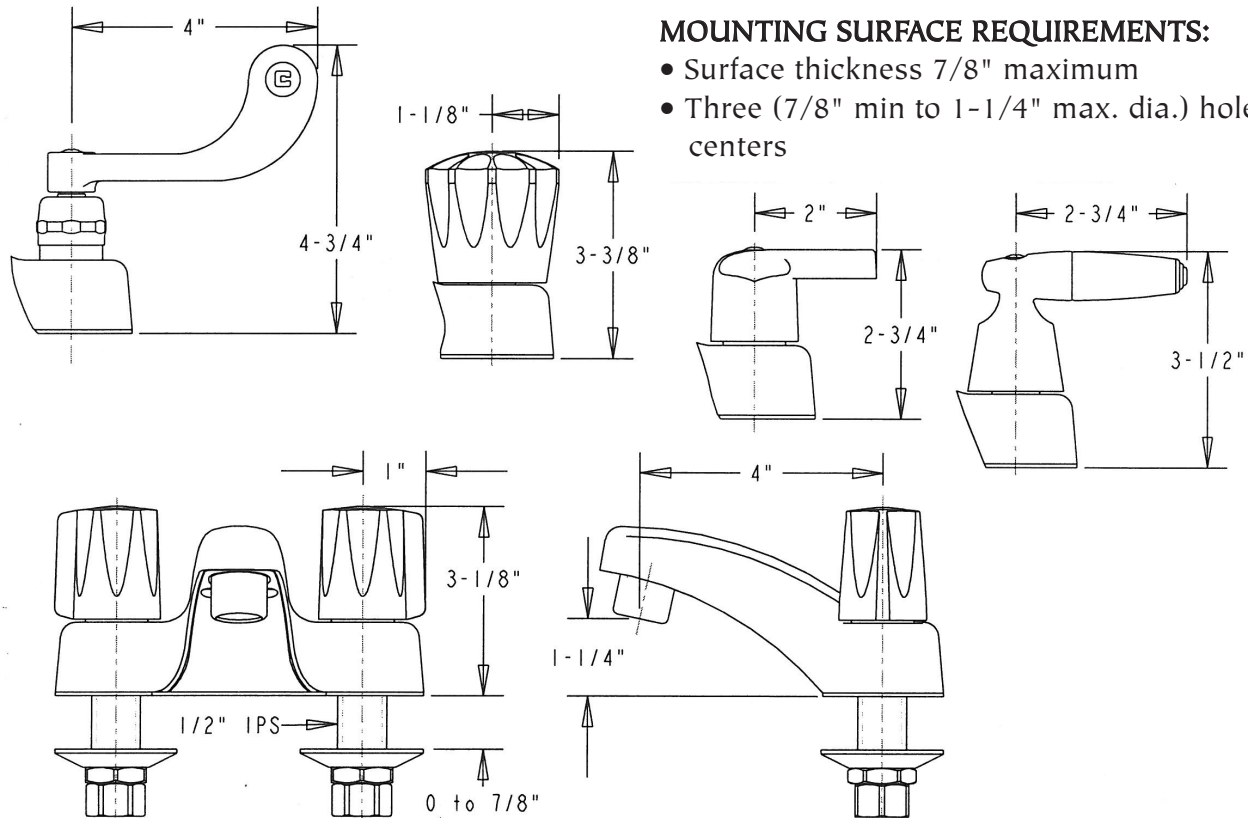
- Twin acrylic, small canopy, canopy blade, wrist blade, or lever handles
- Canopy blade, wrist blade, and lever handles require less than 5lb force to operate valve
- 90° turn from full off to full on
- 1.5gpm energy saving aerator

STANDARDS:

- Designed and manufactured to comply with CSA B-125, ASME A112.18.1M and NSF standards.
- Canopy blade, wrist blade and lever handle units also comply with ADA standards

MOUNTING SURFACE REQUIREMENTS:

- Surface thickness 7/8" maximum
- Three (7/8" min to 1-1/4" max. dia.) holes 2" on centers



EC00320